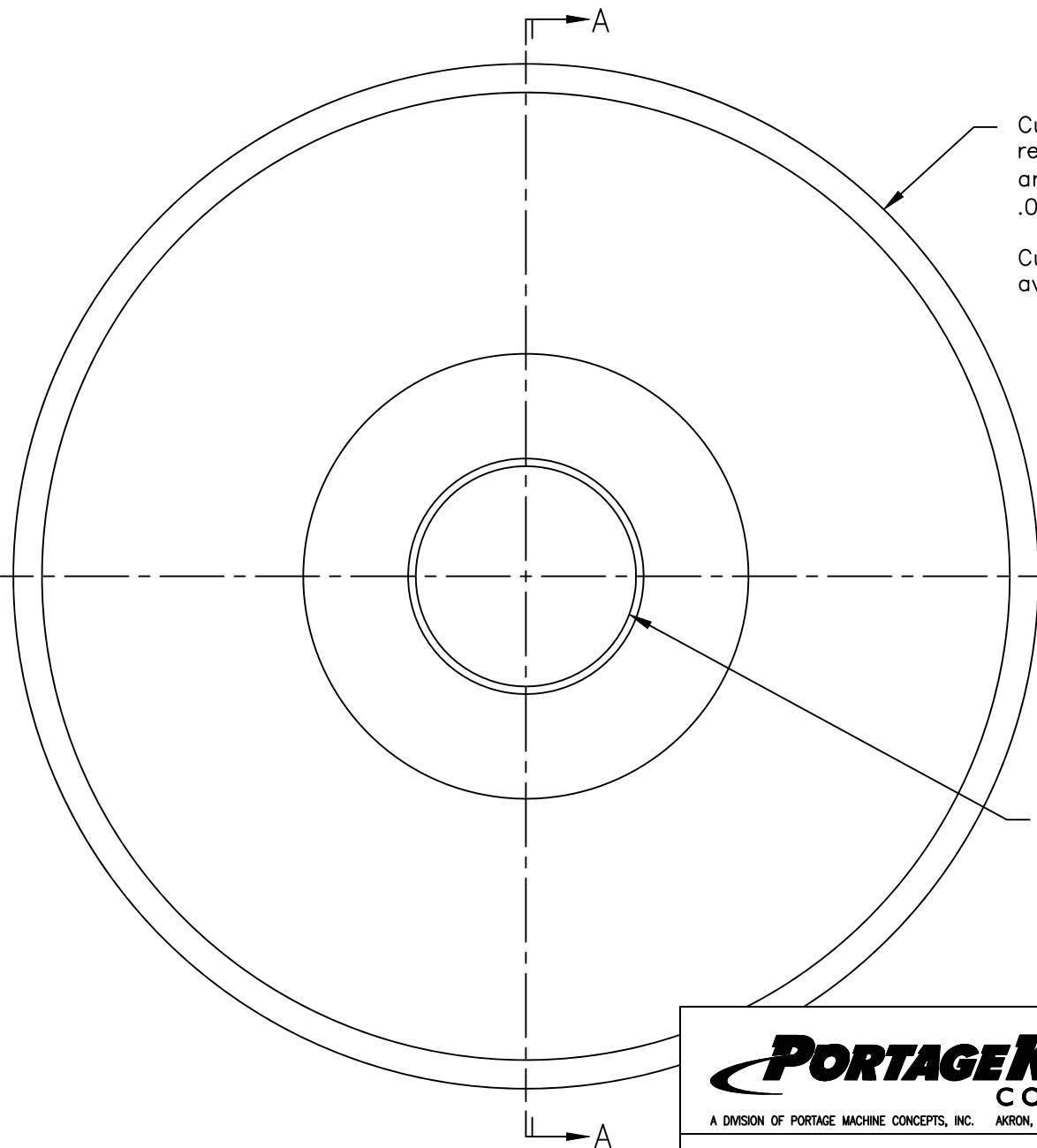


SECTION A-A

Circular knives are made from 52100 material and heat treated to a hardness specified by customer requirements, up to 63 R/C.

Others materials are also available for quote.



Cutting edge per customer requirements. Available edges are sharp, .002" radius, .005" radius or .007" radius.

Custom edges are also available for quote.

ID tolerance per customer requirements.

WEB PRINT

PORTAGE KNIFE
COMPANY

MANUFACTURER OF
SCORE SLITTERS
AND PERFORATORS

A DIVISION OF PORTAGE MACHINE CONCEPTS, INC. AKRON, OHIO (330) 784-0700

400-60 Circular Knife

SIZE
A

DWG NAME:

W400-60.dwg

SCALE: NONE

DATE: 8/2/2019

DRAWN: D. MILLER

SHEET: 1 OF 1