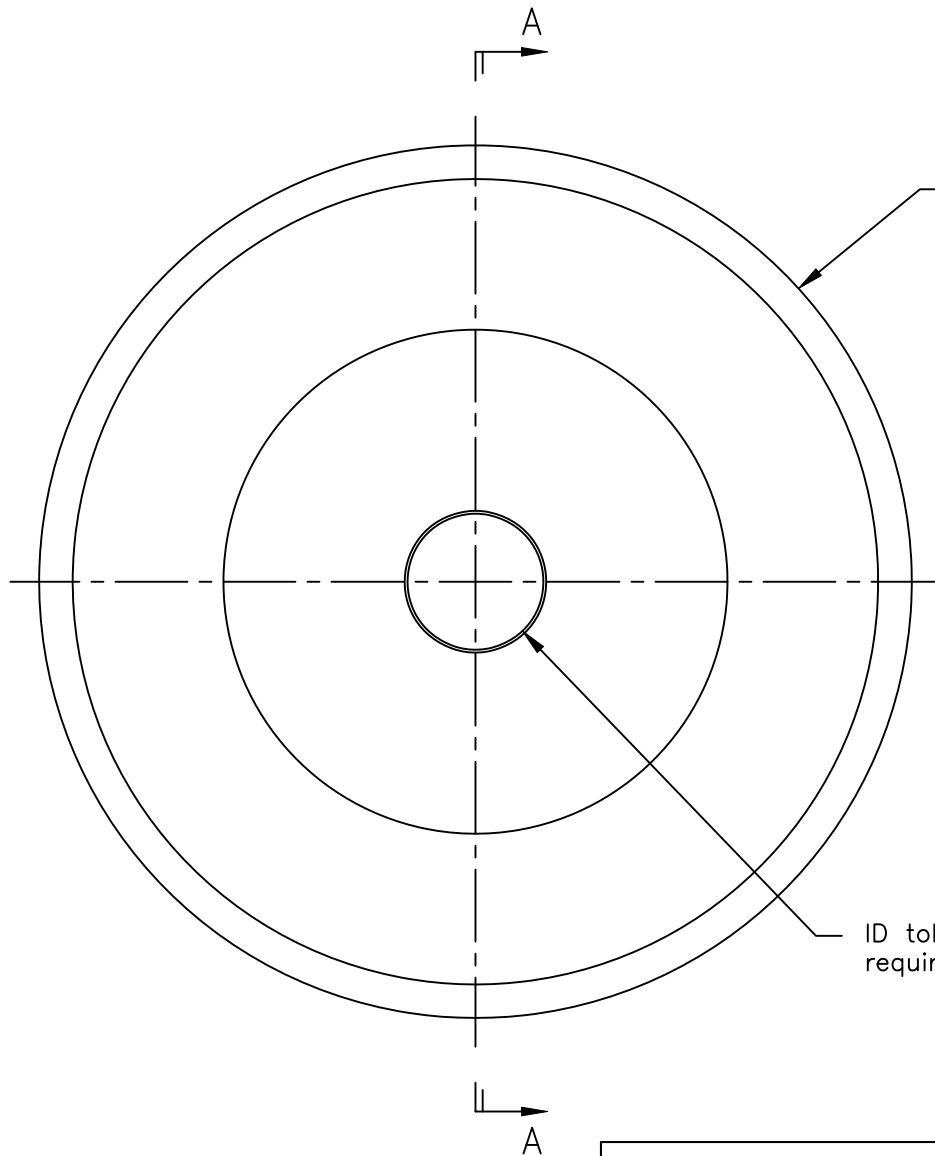


SECTION A-A



Cutting edge has a .001" radius.

Custom edges with other radii are also available for quote.

ID tolerance per customer requirements.

WEB PRINT

Circular knives are manufactured from 52100 material and heat treated to 61-63 R/C.

Others materials are also available for quote.

PORTAGE KNIFE COMPANY MANUFACTURER OF SCORE SLITTERS AND PERFORATORS
A DIVISION OF PORTAGE MACHINE CONCEPTS, INC. AKRON, OHIO (330) 784-0700

337-30-001 Circular Knife

SIZE A	DWG NAME: W337-30-001.dwg
-----------	------------------------------

SCALE: NONE	DATE: 8/01/2019	DRAWN: D. MILLER	SHEET: 1 OF 1
-------------	-----------------	------------------	---------------

This print and the intellectual content is the property of Portage Machine Concepts, Inc. and must not be copied, transmitted or disseminated, in any way, without the written permission of Portage Machine Concepts, Inc.