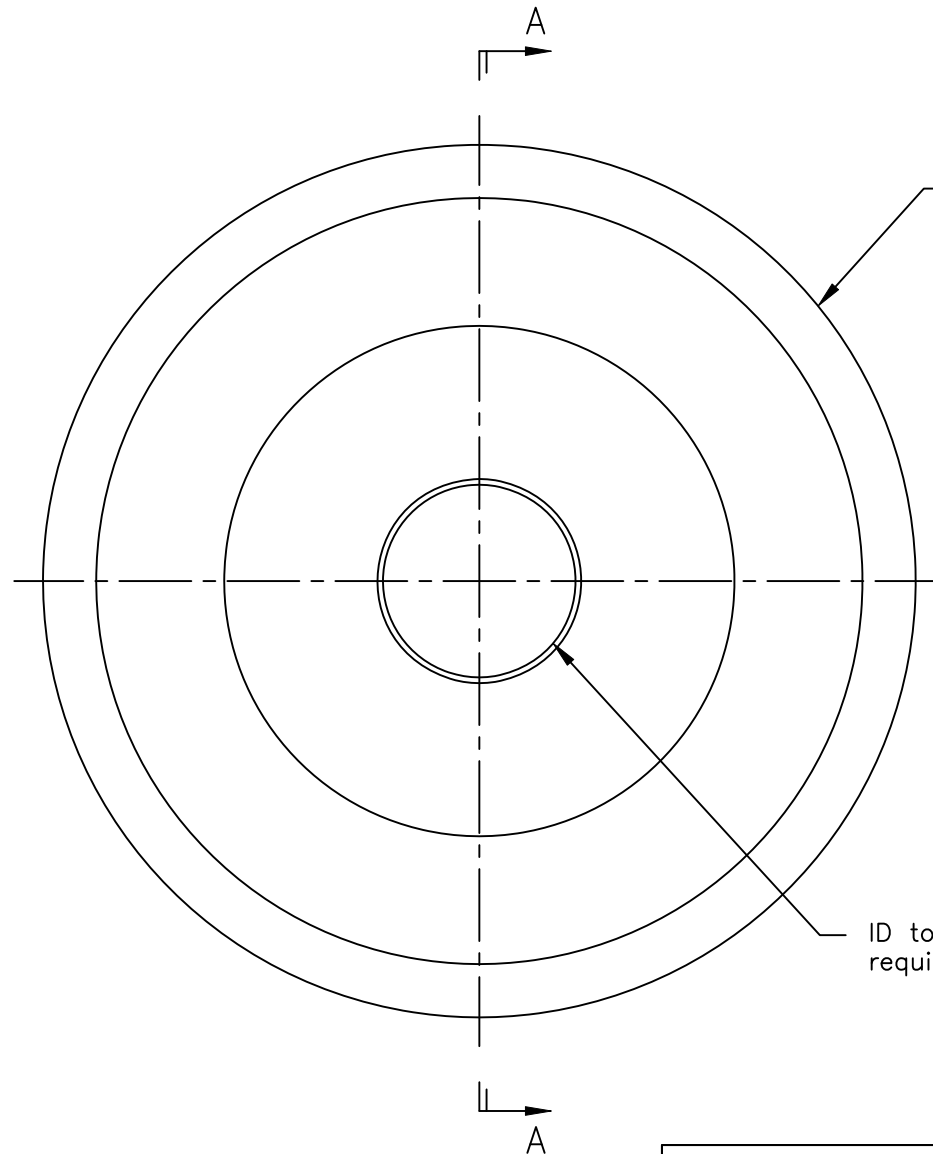


SECTION A-A



Sharp cutting edge, but other edges are available for quote.

ID tolerance per customer requirements.

WEB PRINT

Circular knives made from D2 material and heat treated to a hardness of to 58-60 R/C.

**PORTAGE KNIFE COMPANY** MANUFACTURER OF SCORE SLITTERS AND PERFORATORS  
A DIVISION OF PORTAGE MACHINE CONCEPTS, INC. AKRON, OHIO (330) 784-0700

312-30, .099 Rim, Circular Knife

|      |                               |
|------|-------------------------------|
| SIZE | DWG NAME:                     |
| A    | W312-30 1_772 HUB 099 RIM.dwg |

|             |                 |                  |               |
|-------------|-----------------|------------------|---------------|
| SCALE: NONE | DATE: 7/31/2019 | DRAWN: D. MILLER | SHEET: 1 OF 1 |
|-------------|-----------------|------------------|---------------|

This print and the intellectual content is the property of Portage Machine Concepts, Inc. and must not be copied, transmitted or disseminated, in any way, without the written permission of Portage Machine Concepts, Inc.