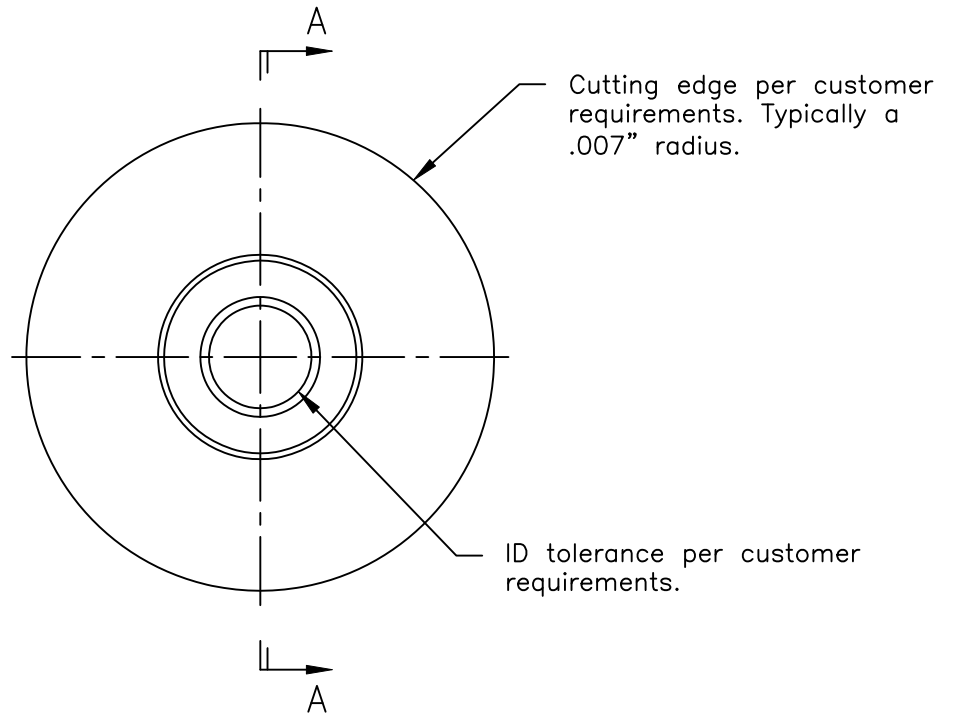


SECTION A-A



WEB PRINT

PORTAGE KNIFE
COMPANY

MANUFACTURER OF
 SCORE SLITTERS
 AND PERFORATORS

A DIVISION OF PORTAGE MACHINE CONCEPTS, INC. AKRON, OHIO (330) 784-0700

161-45 Circular Knife

SIZE
 A

DWG NAME:

W161-45.dwg

SCALE: NONE

DATE: 7/30/2019

DRAWN: D. MILLER

SHEET: 1 OF 1

Circular knives are produced using S7 material and heat treated, to a hardness of 58-60 R/C.

This print and the intellectual content is the property of Portage Machine Concepts, Inc. and must not be copied, transmitted or disseminated, in any way, without the written permission of Portage Machine Concepts, Inc.